

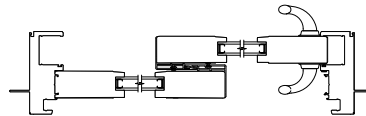
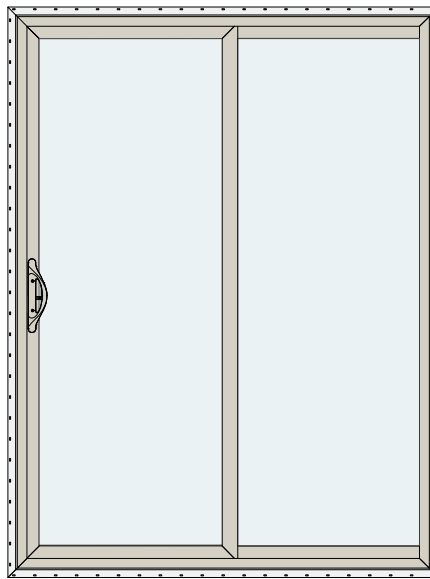


Thank you for selecting JELD-WEN products. Attached are JELD-WEN's recommended installation instructions for Vinyl Patio Doors with an Integral Nailing Fin. Not all patio door types may be installed into every wall condition in all areas. Consult your local building code official for applicable building codes and regulations. Local building code requirements supersede recommended installation instructions. JELD-WEN does not endorse the installation of our products into a barrier-type install system unless a sill pan is present, incorporated with through-wall flashing and can drain to the exterior (along with other "required" components). Failure to do so may result in the denial of any warranty claims. Areas such as Florida and the Texas TDI region have different anchoring requirements based on product certification. For information on specific products, visit www.floridabuilding.org or www.tdi.texas.gov and follow the anchoring schedule given in the drawings for the product instead of the anchoring schedule in this document.

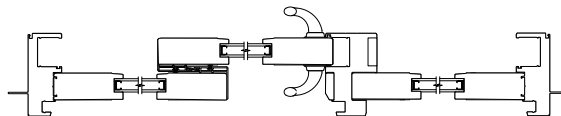
CAUTION

A minimum of 2-people will be needed to assemble and safely move door units.

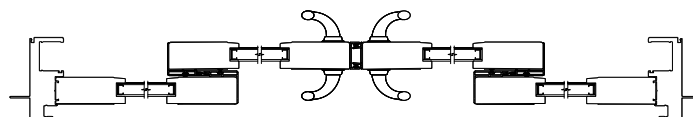
Sliding Patio Door



2 Panel



3 Panel



4 Panel

IMPORTANT INFORMATION | TABLE OF CONTENTS | GLOSSARY

JELD-WEN does not endorse the installation of our products into a barrier-type install system unless a sill pan is present, incorporated with through-wall flashing and can drain to the exterior (along with other “required” components). Failure to do so may result in the denial of any warranty claims.

PLEASE NOTE: Installations where the sill is higher than 35 feet above ground level, or any product installation into a wall condition not specifically addressed in these instructions, must be designed by an architect or structural engineer. Failure to install patio doors into a square, level, and plumb openings could result in denial of warranty claims for operational or performance problems.

NOTE TO INSTALLER: Provide a copy of these instructions to the building owner. By installing this product, you acknowledge the terms and conditions of the limited product warranty as part of the terms of the sale.

Table of Contents

[Safety and Handling](#) 2

[Materials and Tools](#) 3

[Inspect Product](#) 3

[Inspect Rough Opening \(R.O.\)](#) 4

[Install Sill Pan Flashing System](#) 5

[Temporarily Fasten and Shim Product](#) 6

[Fasten Product \(Size and Spacing\)](#) 7

[Install Drip Cap](#) 8

[Create “Interior” Air Seal](#) 8

[Remove Protective Film](#) 8

[After Installation](#) 9

[Patio Door Adjustments](#) 9

[Panel Installation for 4-Panel Units](#) 11

NOTICE

JELD-WEN advises against product installation in high interior water exposure environments such as showers, steam rooms and enclosed pool areas. These areas are beyond the tested/certified design intent of the product and any related warranty claims could be denied on that basis.

Glossary

- Buck**
A wood framework attached to the masonry inside a patio door rough opening.
- Mulled Unit**
An assembly of two or more individual products that will be installed into a single rough opening. Mullion elements may be horizontal, vertical or both.
- Pilot Hole**
A drilled hole that is no larger than the body of the screw (minus the threads).
- Score**
Make a cut mark in the same location multiple times.
- Self-Adhered Flashing**
An adhesive-backed tape material used to waterproof the rough opening and/or used to seal a patio door to the building’s weather barrier.
- Shiplap**
The layering method in which each layer overlaps the layer below it so that water runs down the outside.
- Weep Hole (weep channel)**
The visible exit or entry part of a water drainage system used to drain water out of a patio door.

SAFETY AND HANDLING

Safety

- Read and fully understand **ALL** manufacturers’ instructions before beginning. Failure to follow proper installation instructions may result in the denial of warranty claims for operational or performance problems.
- **DO NOT** work alone. **Two or more people are required.** Use safe lifting techniques.
- Use caution when handling glass. Broken or cracked glass can cause serious injury.
- Wear protective gear (e.g., safety glasses, gloves, ear protection, etc.).
- Operate hand/power tools safely and follow the manufacturer’s operating instructions.
- Use caution when working at elevated heights.
- If disturbing existing paint, take proper precautions if lead paint is suspected (commonly used before 1979). Your regional EPA (www.epa.gov/lead) or Consumer Product Safety Commission offices provide information regarding regulations and lead protection.

⚠ WARNING

Drilling, sawing, sanding or machining wood products can expose you to wood dust, a substance known to the State of California to cause cancer. Avoid inhaling wood dust or use a dust mask or other safeguards for personal protection. For more information, go to www.P65Warnings.ca.gov/wood.

Patio Door Handling

- Make sure the operating panel is secured prior to installation.
- Heed material manufacturers’ handling and application instructions.
- Handle in a vertical position; **DO NOT** carry flat or drag on the floor.
- **DO NOT** put stress on joints, corners or frames.
- Store window in a vertical, leaning position to allow air circulation; **DO NOT** stack horizontally.
- Ensure the storage area is dry, well-ventilated and **protected from exposure to direct sunlight.**
- Only install into vertical walls when conditions/sheathing are dry.

IF INJURY OCCURS, IMMEDIATELY SEEK MEDICAL ATTENTION!

MATERIALS AND TOOLS

JELD-WEN exterior window and door products should be installed in accordance with JELD-WEN's recommended installation instructions, which are printed on the product label or can be found on our website: www.jeld-wen.com. **NOTE:** When using flashing, spray adhesive/primer, sealant and foam products, we recommend using the same manufacturer and verifying compatibility. It is the End User's responsibility to determine if dissimilar materials are compatible with the substrates in the application.

Provided Materials

- 4- #10 x 2 1/2" screws (to secure the strike plate, two-panel units only).

Needed Materials

- #8 pan-head or washer-head, corrosion-resistant screw **OR** 1 3/4" galvanized roofing nails. Minimum embedment of 1 1/4" into the structural framing (or as required by local code).
- Sill Pan: A pan flashing system (as defined in **ASTM E2112**) is **required** at the sill prior to window/door product installation. A sill pan should have a positive slope, **must be** installed onto the sill of the R.O. in a weather-tight manner and tied into the drainage plane of the building envelope. For sill pans without a positive slope, place a 3/16" -1/4" tall plastic shim 2" from each corner and no more than 8" on-center in between (excludes Canada and potentially large door systems). If an aftermarket sill pan is preferred, then we suggest the Manufacturer's instructions be followed.

- Sealant: An exterior grade (**High-Performing, Low VOC**) sealant is recommended for installation practices. Check with sealant manufacturer for color-match options and paintability.
- Polyurethane Low-Expansion Window and Door Foam: A low-expansion, polyurethane window and door foam is recommended from installation practices. Avoid using moderate to high-expansion foam products as operational issues or damage may occur.
- Backer Rod: 1/8" larger than the widest portion of the gap (used in conjunction with sealant bead for interior air seal).
- Non-compressible, non-water degradable shims.
- Drip cap (if not supplied).

Potential Needed Tools

- Utility knife/shears
- Hacksaw or Cutting shears
- J-roller
- Tape measure
- Caulking gun
- Level (4' minimum recommended)
- Drill with bits
- 5-in-1 Putty Knife
- #2 Phillips Head Screwdriver

1

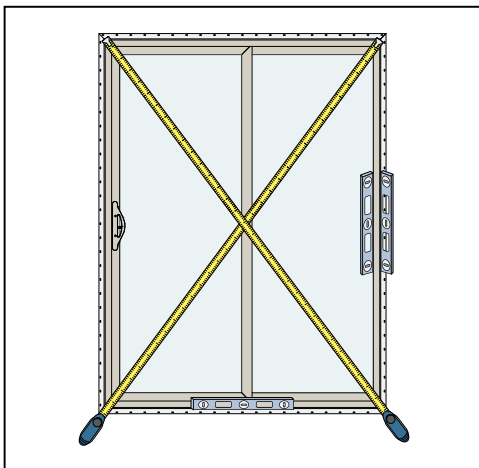
INSPECT PRODUCT

Remove Packaging

- Remove shipping materials such as corner covers, shipping blocks, shrink wrap or pads. If there is a protective film on the glass, **DO NOT** remove it until installation and construction are complete.
- **DO NOT** remove the installation label until after the inspection of the job is complete.

Inspect Patio Door

- Cosmetic damage and/or shipping damage.
- Product squareness (diagonal measurements not more than 1/4" different).
- Correct product (size, color, grid pattern, handing, glazing, energy-efficiency requirements, etc.).
- Frame and panel damage.



- Manufacturing abnormalities (e.g., warp, bow and squareness).
- Splits, cracks, holes, missing sections or other damage to the nailing fin longer than 6" and/or within 1/2" of the patio door frame.

If any of the above conditions represent a concern, or if you expect environmental conditions to exceed the patio door's performance rating, **DO NOT** install the patio door. Contact your dealer or distributor for recommendations.

Extension Jamb Installation Kit



If extension jambs need to be applied, please scan the QR code or reference Service Supplement for Extension Jamb Installation for Vinyl Windows and Patio Doors (SVC005) at www.jeld-wen.com.

Reverse Patio Door Handing

Only **pre-installed** 6' 8" and 6' 10" Builders sliding patio doors **without blinds between the glass** that have weep holes on the top and bottom are reversible and specially designed to be converted to be opened either from the left or the right. **Certain grid/bar patterns are not reversible.** Patio doors that are set up for left-hand operation (door opens from the left on the exterior) or vice versa, can be converted to open from the opposite side by following the instructions. **DO NOT install the patio door until after completion of the reversing instructions and the fixed panel is on the desired side.**



For Patio Door Handing Reversal information, please scan the QR code or reference Service Supplement for Builders Vinyl Sliding Patio Door Handing Reversal (SVC001) at www.jeld-wen.com

2

INSPECT ROUGH OPENING (R.O.)

Weatherproofing of the rough opening, along with the flashing and proper integration of the fenestration product with the water-resistive barrier (WRB), is the responsibility of the installer. A drainage path to the water-resistive barrier (WRB) must be left open for water to exit from the required sill pan beneath the window/door product. For flanged products, no flashing should be applied over the bottom nail fin. For non-flanged products gaps in the exterior sealant joint should be left along the bottom. JELD-WEN recommends strict adherence to the current version of ASTM E2112.

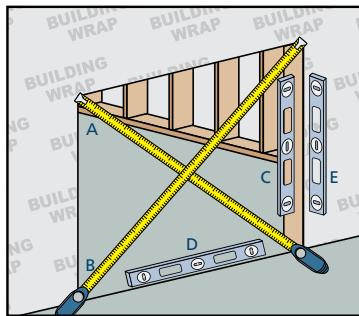
CAUTION

The use of a sill pan and other barriers will decrease the rough opening height clearance. Adjust the opening dimensions accordingly.

Rough Opening Requirements

- Verify the width and height of the rough opening is 1/2" larger than the patio door width and height.
- Verify the rough opening is square. The (A) and (B) measurements should be the same. Suggested deviation from square is no more than 1/4".
- Verify the rough opening is level and plumb (C, D and E). Suggested deviation is no more than 1/4".
- The rough opening sill should not be crowned or sagged (D), but rather level or sloped (positive slope) to the exterior.
- The exterior face of the rough opening should be in a single plane (E) with less than 1/8" twist from corner to corner.
- Minimum double studs (king and jack/trimmer) should be used to support the header at all rough openings.

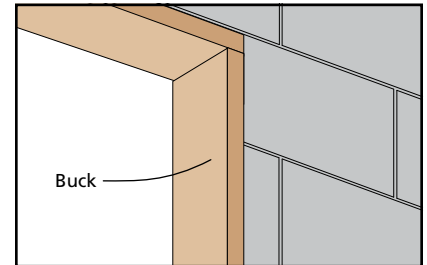
Verify Square, Level and Plumb



This installation guide only addresses masonry/block wall, sheathed wall, open-stud construction and exterior foam insulation. For exterior foam insulation construction, please reference the latest version of FMA/AAMA/WDMA 500 for additional install and framing details. If installing into an opening other than what is identified, consult a building professional.

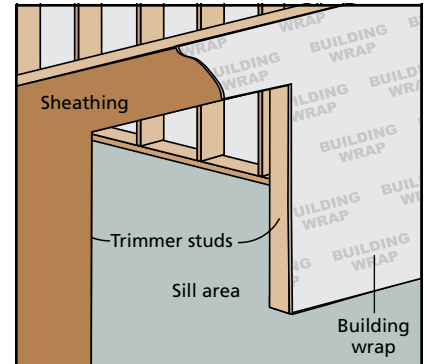
Masonry/Block Wall Construction

This installation assumes that a framework of studs (often called a buck) has already been properly fastened in a weatherproof manner to the concrete/masonry wall. The patio door will be mounted into the buck in a weatherproof manner.



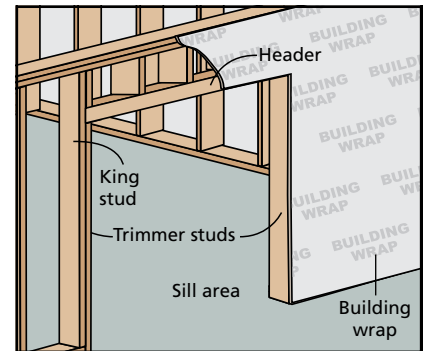
Fully Sheathed Wall Construction

Sheathing is applied to the exterior of the wall framing. The patio door will be mounted flush against the sheathing or building wrap in a weatherproof manner.



Open-Stud Construction

Sheathing is absent and building wrap is applied atop of the wall framing. The patio door will be mounted into the rough opening in a weatherproof manner.

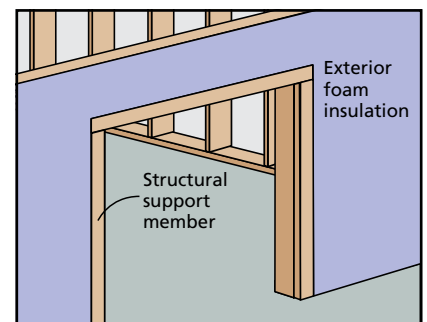


For Retrofit Installations

Verify the rough opening framing is structurally sound. Contact your local waste management entities for proper disposal or recycling of products being removed.

Exterior Foam Insulation Construction

Exterior Foam insulation is applied to the exterior of the wall framing. The patio door will be mounted to a structural support member on the same plane as the exterior foam insulation in a weatherproof manner (reference the latest version of FMA/AAMA/WDMA 500 for additional install and framing details).

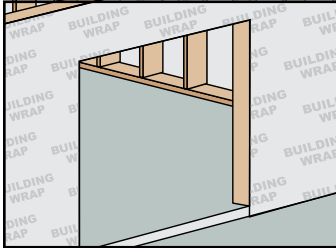


3

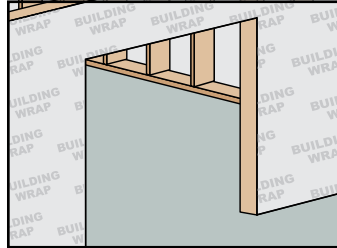
INSTALL SILL PAN FLASHING SYSTEM

Landings

These instructions cover two patio door sill conditions: the **step-down landing** and the **continuous slab landing**. The installation methods vary slightly between landing types.



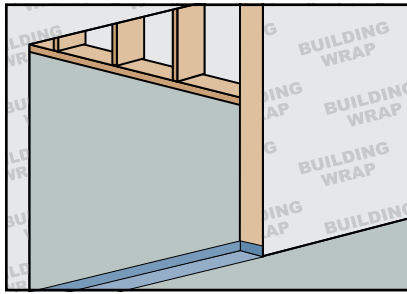
Step-Down Landing



Continuous Slab Landing

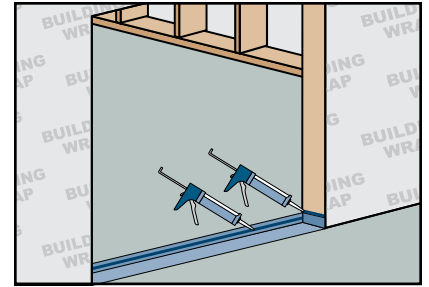
Prepare Sill

1. A pan flashing system (as defined in **ASTM E2112**) is **required** at the sill prior to window/door product installation. Always allow water to drain out of the pan and onto the building wrap, drainage plane or to the exterior.



NOTE: Sill pans for step-down landings will have a folded-down edge in the front to accept the step-down landing.

2. Apply a continuous bead of sealant to the interior of the upturned leg and end dams of the sill pan (if using a rigid sill pan).

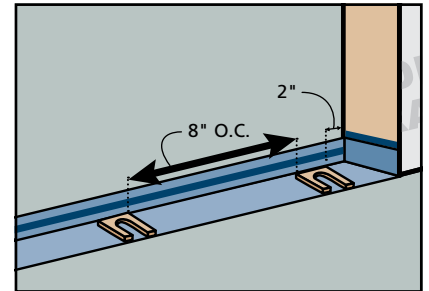


Shim the Sill

See **Product Installation Tolerance Table** for tolerances.

Unless installing into a sill pan with a positive sloped drainage system, shims should be aligned as defined by the label on the patio door or as stated below:

- Shims (1/4" maximum) should be placed near the exterior edge of the sill pan.
- Place one shim 2" from each side of the rough opening (if the rough opening is sized correctly, this should be approximately 1 1/2" - 2" from the corner of the patio door).
- Shims should be no more than 8" on-center.
- There should always be a drainage path to the exterior out of the sill pan.
- Shims can be held in place with sealant.
- Increased shim height may be needed or may interfere with bar/grill alignment of adjacent windows/doors.

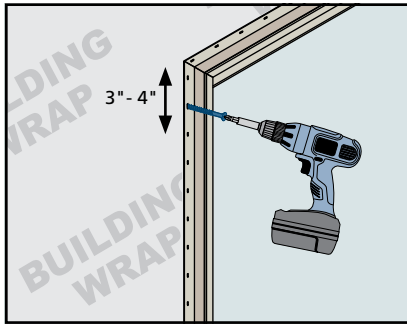


4 TEMPORARILY FASTEN AND SHIM PRODUCT

⚠ WARNING

To avoid injury, use at least 2-people to install. Adequately support the patio door until fully installed.

1. For continuous slab landings only, score and remove the nailing fin at the sill.
2. Run a continuous 3/8" bead of sealant around the interior side of the nail fin, on both side jambs and head. A **discontinuous** bead of sealant should be applied at the **bottom nail fin** to allow for drainage.
3. Place the patio door onto the shims and tilt into the rough opening. The shims must fully and evenly support the sill of the patio door. Adjust the shims as needed.
4. From the exterior, temporarily fasten the patio door through the nailing fin between 3" - 4" from one upper corner (**Reference the Fastener Spacing Table** for complete fastening schedule). **NOTE:** For larger units, both upper corners may need to be fastened to adequately hold the door unit.



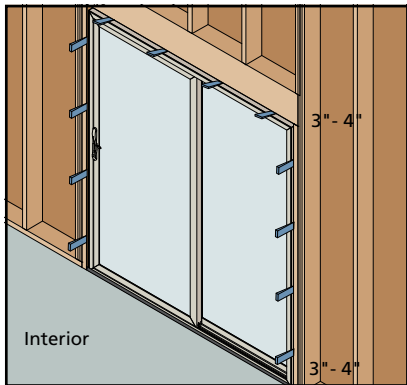
Product Installation Tolerance Table	
Products must be installed in a manner that Does Not exceed the tolerance below.	
Plumb	+/- 1/8"
Level	+/- 1/8"
Twist	+/- 1/8"
Square	+/- 1/8" product sized up to 20 sq. ft. +/- 1/4" product sized over 20 sq. ft.

8. Temporary fasteners can be used to hold the product within tolerance until properly fastened. Test for operation. Remove and reinstall if necessary.
9. For 2-panel door configurations, place additional shims between the door frame and rough framing where the strike plate is located. The longer strike plate screws should penetrate through the shims.

⚠ WARNING

The first screw should be placed at the top corner rather than the bottom corner. Support is **REQUIRED** at all times.

5. From the interior, shim 3" - 4" from each corner, in the center of the head jamb and both side jambs.
6. Evaluate the door position within the opening for plumb, level, square and twist (See **Reference the Product Installation Tolerance Table** for tolerances).
7. Add additional shims as necessary to ensure proper support and alignment of the door frame. Larger door frames need additional shims. **NOTE:** All shims should be cut back 1/4" - 1/2" from the interior face of the main door frame.

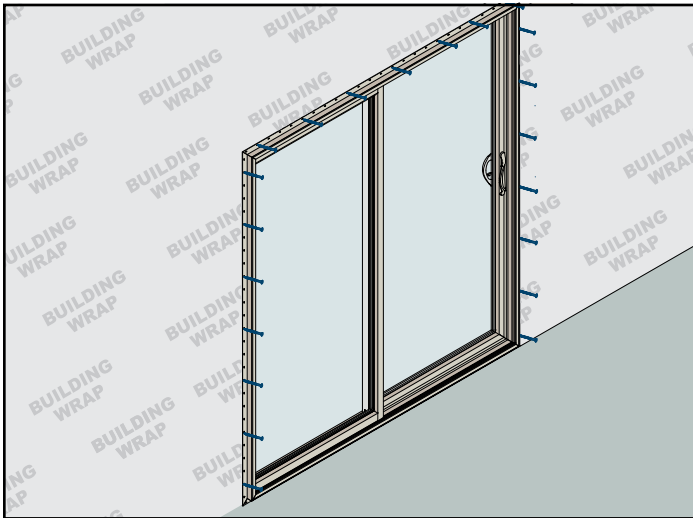


5 FASTEN PRODUCT (SIZE AND SPACING)

Common Patio Door Fastening

Areas such as Florida and the Texas TDI region have different anchoring requirements based on product certification. For information on specific products, visit www.floridabuilding.org or www.tdi.texas.gov and follow the anchoring schedule given in the drawings for the product instead of the anchoring schedule in this document.

Patio doors will be fastened according to the performance grade (PG). This rating is located on the gold AAMA label applied somewhere on the frame, generally in the head jamb. Please reference the following example: R-PG20-3645X2426 (144X96)-SD. If this label is missing, use the PG35 and above fastener pattern.



NOTICE

Embedment must be a minimum of 1 1/4" into the structural framing. Fastener (anchor) heads must be flush. Use the table to find the correct product and fasten it as directed.

Fastener Spacing Table	
PG20 up to PG35	Fasten through the nailing fin holes 3" - 7" from the corners and 12" (max.) apart all the way around the patio door.
Above PG35 up to PG50	Fasten through the nailing fin holes 3" - 7" from the corners and 8" (max.) apart all the way around the patio door.

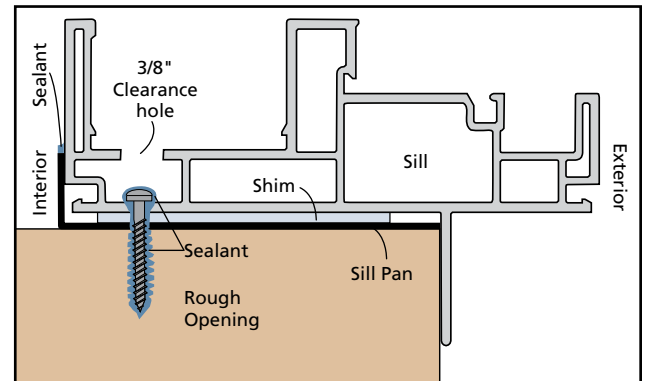
Through Sill Fastening

CAUTION

Fasteners through the sill will breach the sill pan flashing. Following the sealant application steps outlined below is imperative.

Generally, through sill fastening is not needed for two panel doors with a PG 35 or under rating. A discontinuous bead of sealant should be used to secure the door frame to the sill pan. If fasteners are applied through the sill, then the following steps are recommended.

1. Remove the operating panel(s).
2. Use a 5-in-1 putty knife or hook tool to remove the track.
3. Drill a 3/8" clearance hole through the first wall of the vinyl.
4. Pre-drill a fastener hole through the outer wall of the frame.
5. Apply sealant to the threads of the fastener. Apply additional sealant into and around the pre-drilled hole.
6. Seat the fastener until the head is flush with the outer wall of the frame.
7. Apply sealant to the fastener head, ensuring the head is sealed to the frame.
8. Re-install track and panel(s).



NOTICE

If installing a 4-panel unit, reference section 10 for active and inactive panel installation.

6

INSTALL DRIP CAP

The use of a drip cap on all window/door products is recommended, regardless if supplied. A drip cap is **required** on any **vertical** mullled/joined products, regardless if supplied. **NOTE:** A drip cap may not be suitable for some product lines (e.g., brickmould vinyl, flush fin, vinyl flat casing, various wall systems), regardless these product lines need to be incorporated into the wall in a weather-shedding manner.

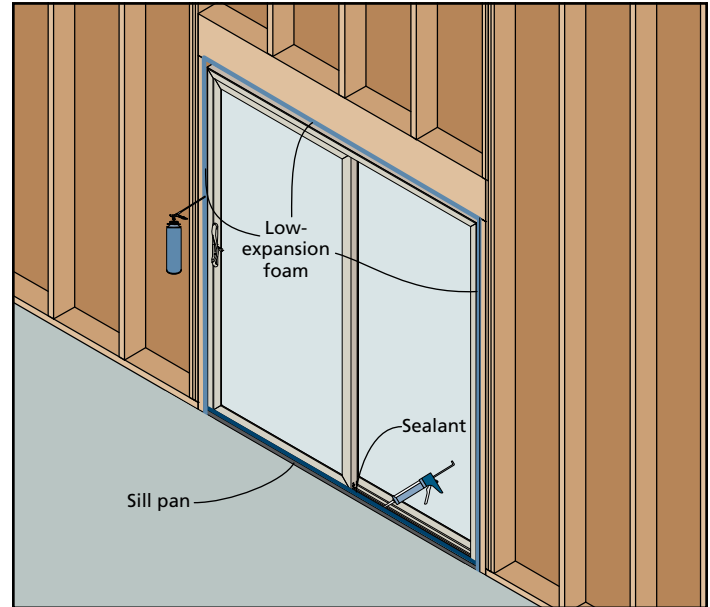
7

CREATE "INTERIOR" AIR SEAL

Continuous "Interior" Air Seal

NOTE: Shims may need to be cut back, so the interior air seal is "**continuous**" between the patio door frame and the rough opening.

Create a **required** continuous air seal on the interior by integrating the rough opening and the patio door frame with low-expansion polyurethane foam or backer rod and sealant. **NOTE:** If foam is used, a 1/2" - 1" depth is prescribed. Backer rod can be used to control the depth.

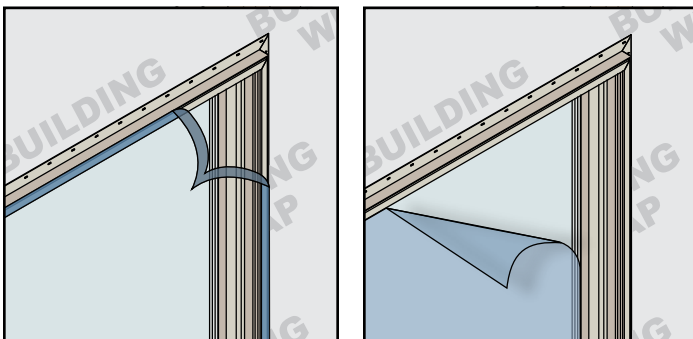


8

REMOVE PROTECTIVE FILM

NOTICE

If applicable, remove any protective film immediately from all surfaces of the frame/panel and within six months from any glass.



9

AFTER INSTALLATION

Weatherproofing of the rough opening, along with the flashing and proper integration of the fenestration product with the water-resistive barrier (WRB), is the responsibility of the installer. A drainage path to the water-resistive barrier (WRB) must be left open for water to exit from the required sill pan beneath the window/door product. For flanged products, no flashing should be applied over the bottom nail fin. For non-flanged products gaps in the exterior sealant joint should be left along the bottom. JELD-WEN recommends strict adherence to the current version of ASTM E2112.

- Ensure weep holes/channels are clear of debris for proper water drainage. **DO NOT** seal weep holes/channels.

- Leave an expansion/contraction gap of approximately 3/8" between the patio door frame and final exterior wall surface (siding, stucco, etc.).
- Protect recently installed units from damage from plaster, paint, etc.



For care and maintenance information, please scan the QR code or reference Care and Maintenance for Vinyl Windows and Patio Doors (JCM002) at www.jeld-wen.com.



For product guide information, please scan the QR code or reference the Product Guide for Vinyl Patio Doors (JPG008) at www.jeld-wen.com.

10

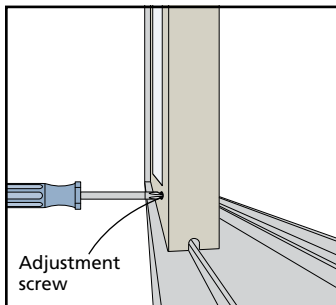
PATIO DOOR ADJUSTMENTS

Roller Adjustment:

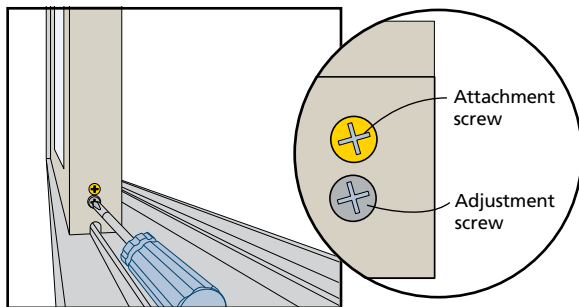
NOTE: Adjusting door too high may allow water and air leakage. Adjust rollers just high enough to clear sill track and still roll smoothly.

1. Builders doors have an adjustment screw on each lower end of the operating panel(s). Premium doors have access holes on the face of each lower end of the operating panel(s). Remove small vinyl plugs from each hole (if present).
2. Take weight off the panel when making adjustments.

Premium Patio Door



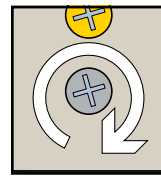
Builders Patio Door



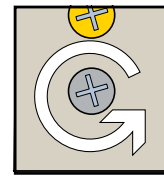
3. Open the operating panel enough to expose a 1/4" gap between the panel and frame jamb. Verify the gap is even along the entire height of the panel to the frame. If uneven, adjust by referring to the following steps.

NOTE: Builders roller adjustment screws are near the attachment screw. Adjust only the lower screw (as shown); loosening the attachment screw will detach the roller from the operating panel.

4. Using a #3 Phillips head screwdriver, turn the adjustment screw clockwise to raise the panel, and counterclockwise to lower the panel.



Raise panel

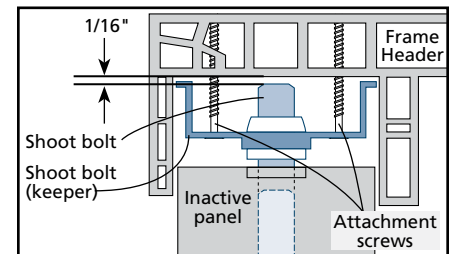


Lower Panel

5. Adjust as needed until interlocks, grid patterns, and jambs line up.
6. Test the operating panel for proper operation.
7. Re-apply the small vinyl caps over the roller adjustment screw holes if applicable.

Keeper Installation

1. Adjust the rollers as per the installation instructions.
2. Completely close the inactive panel and open the active panel.
3. Position the keeper above the handle edge/stile of the inactive panel and snap into the head track.
4. Position the keeper to allow the shoot bolt to align with the hole in the keeper.
5. Hold the keeper in place and slide the inactive panel out of the way.
6. Drive two of the provided 2 1/2" screws through the two elongated holes in the keeper, through the frame header and into the rough opening (**screws should embed into the header above the door frame**).
7. Slide the inactive panel back to the closed position and engage the shoot bolt. If it requires adjustment, loosen the screws and slide the keeper enough to achieve smooth operation, and then re-tighten. Drive the remaining 2 1/2" screws through the empty holes.
8. Engage the shoot bolt into the keeper and verify there is at least a gap of 1/16" between the end of the shoot bolt and the frame header. If necessary, perform shoot bolt height adjustment.



10

PATIO DOOR ADJUSTMENTS (CONTINUED)

⚠ WARNING

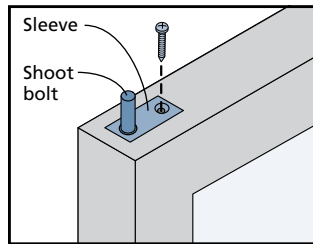
Patio door panels are very heavy. Removal and installation require two or more people.

Shoot Bolt Height Adjustment:

- Remove the inactive panel from the door frame. The rollers may need to be adjusted up into the panel to clear the sill track. Slide the panel to an open position and lift it up and over the sill track.
- Place the door on sawhorses. At the head of the panel, remove the screw and the sleeve.
- Turn the shoot bolt clockwise to shorten the height and counterclockwise to increase the height. Only increase it enough to engage into the keeper and leave 1/16" gap at the frame header. If the shoot bolt hits the frame header, it will not fully lock when engaged.

NOTE: The shoot bolt only has 7/16" of adjustment.

- When the desired height is achieved, replace the sleeve and screw.



- Reinstall the inactive panel back into the frame and re-adjust the rollers as necessary.
- Check the door for proper operation.
- Adjust the keeper as necessary by loosening the four screws and sliding up or down until the lock engages properly. Tighten all screws.

Lock Adjustment

NOTE: If the strike plate was not previously installed, line up the screw holes with the dimples in the operating panel side jamb and drive screws through the two slotted screw holes.

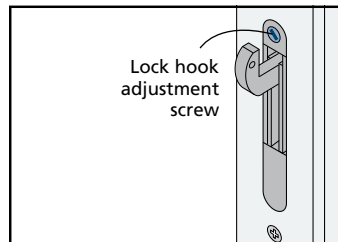
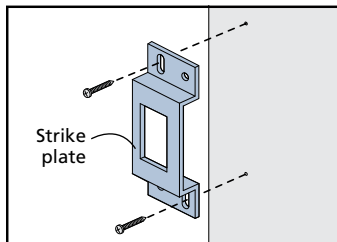
If the lock does not properly engage the strike plate:

- Loosen the strike plate screws and move the plate up or down until the latch engages properly.

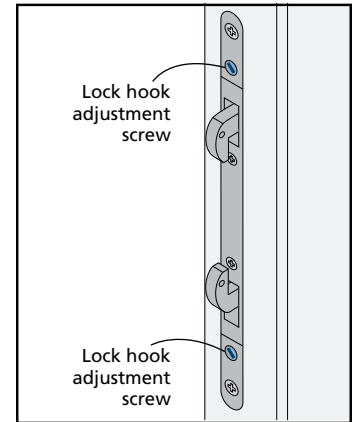
If the door does not lock or is loose when locked:

- Turn the latch adjustment screw(s) in 1/2 turn increments: clockwise to loosen or counterclockwise to tighten. Premium doors have a double latch and two adjustment screws.

Builders Patio Door



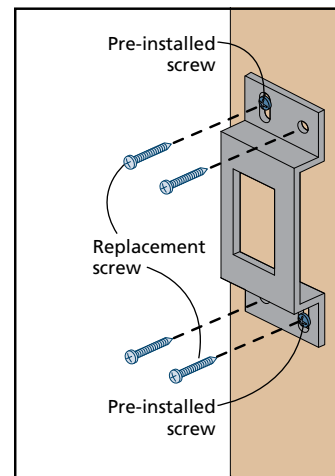
Premium Patio Door



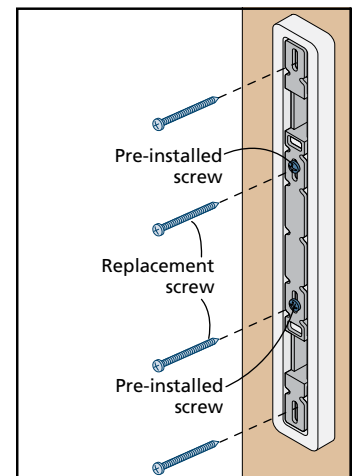
Anchor Fastening

- For 2-panel door systems, drive two #10 x 2 1/2" screws through the open screw holes in the strike plate (included in the hardware pack).
NOTE: Screws should penetrate through the door frame, shims and embed into a rough framing member.
- Shut the door and test for locking capability. If an adjustment is needed, reference the "Lock Adjustment" section and/or adjust rollers.
- Once the lock is adjusted, remove the pre-drilled screws from the strike plate and replace them with the remaining #10 x 2 1/2" screws from the hardware pack. This will secure the patio door to the structure.

Builders Patio Door



Premium Patio Door

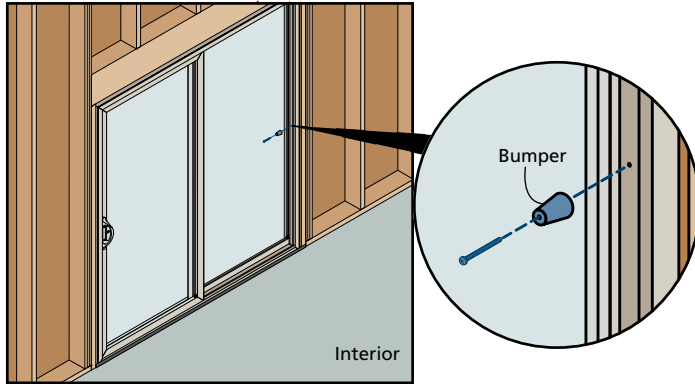


10 PATIO DOOR ADJUSTMENTS (CONTINUED)

Install Bumper

For Builders vinyl series doors, install the bumper in the stationary panel side jamb at vertical center using the 1" self-tapping screw provided.

Builders Patio Door



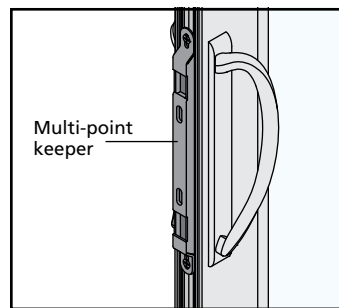
11 PANEL INSTALLATION FOR 4-PANEL UNITS

This door consists of two operating panels: The active panel and inactive panel. Follow the steps below for panel installation.

Inactive Panel Installation

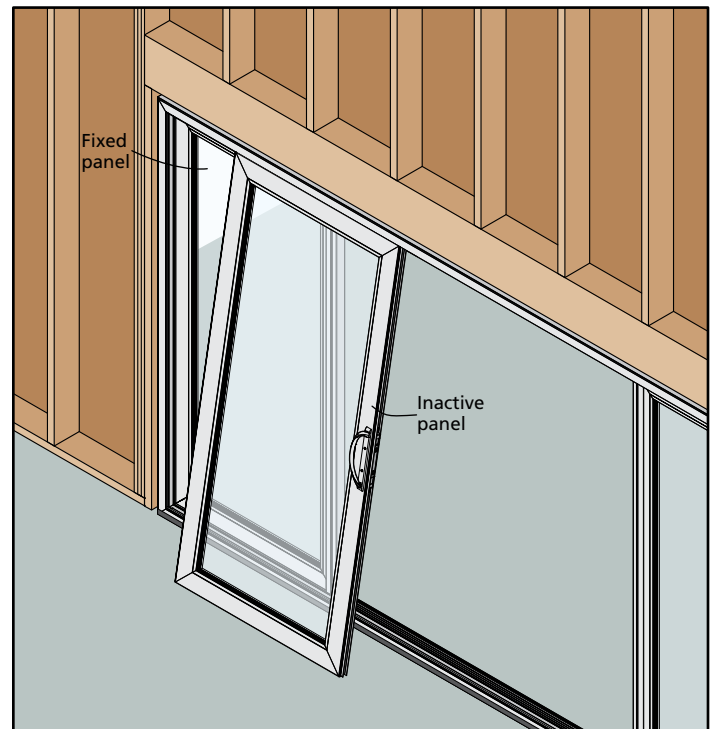
1. Locate the **inactive** panel (panel contains a multi-point keeper and a shoot bolt designed to secure the inactive panel in place allowing the active panel to lock into it). The inactive panel will be installed in the interior-most track of the door frame.

Exterior View



2. From the interior, position the inactive panel so it overlaps the **fixed panel by half (50%)**. **NOTE:** The roller adjustment ports should be facing toward the interior.

3. Lean the head of the panel, so it aligns with the interior-most track. Lift the panel into the track and swing the bottom of the panel onto the sill.



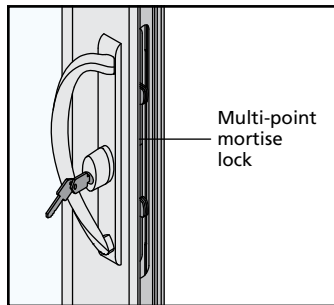
11

PANEL INSTALLATION FOR 4-PANEL UNITS (CONTINUED)

Active Panel Installation

1. Locate the **active** panel (panel contains a multi-point mortise locking mechanism that locks into the multi-point keeper on the inactive panel). The active panel will be installed in the interior-most track.

Exterior View



2. From the interior, position the active panel so it overlaps the **fixed panel by half (50%)**. **NOTE:** The roller adjustment ports should be facing toward the interior.

3. Lean the head of the panel, so it aligns with the interior-most track. Lift the panel into the track and swing the bottom of the panel onto the sill.



Please visit jeld-wen.com for warranty and care and maintenance information.

Thank you for choosing

JELD-WEN